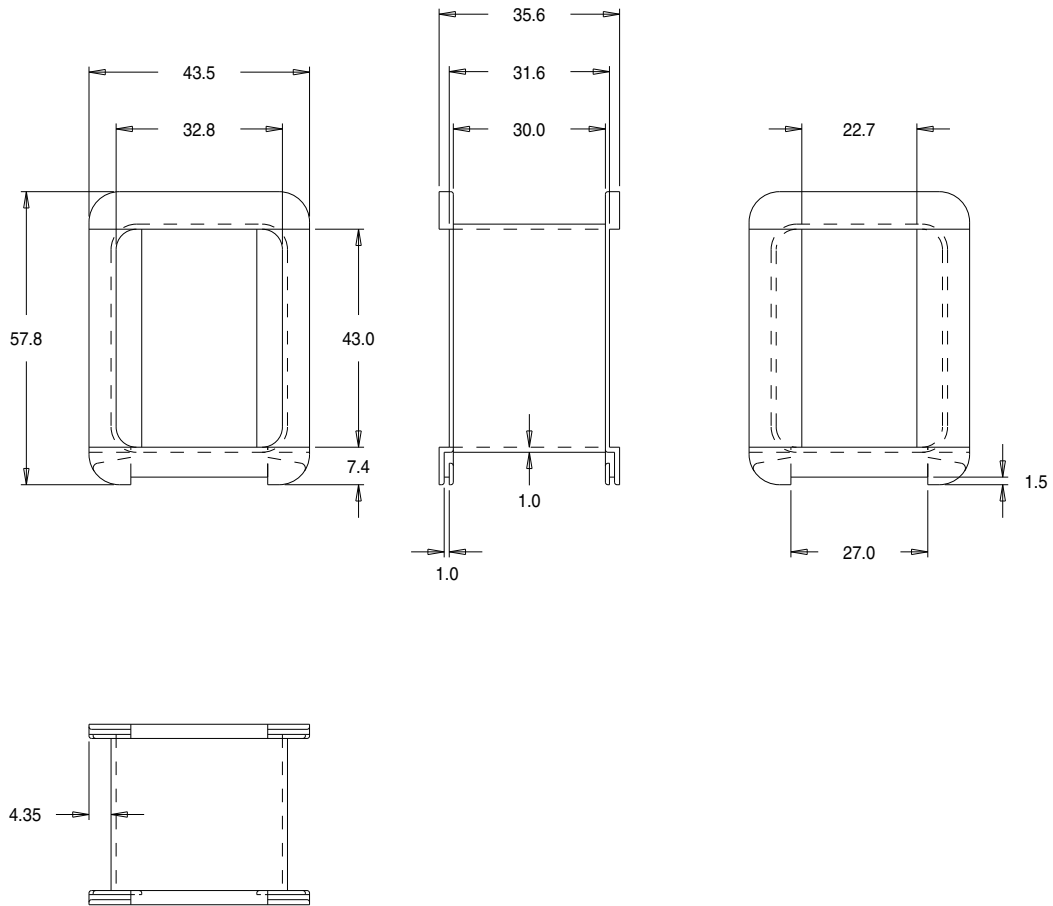


Part No. VM0101  
EI 66 x 26.2 Secondary Bobbin  
(Use With Primary Bobbin VM0100)



Dimensions in millimetres.



Issue 1